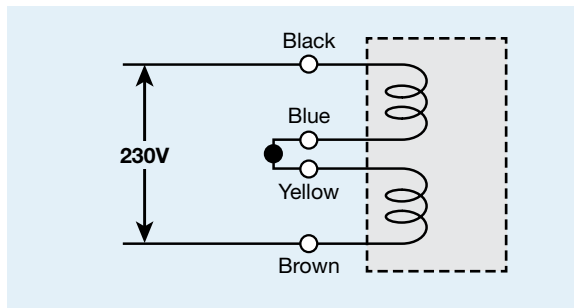
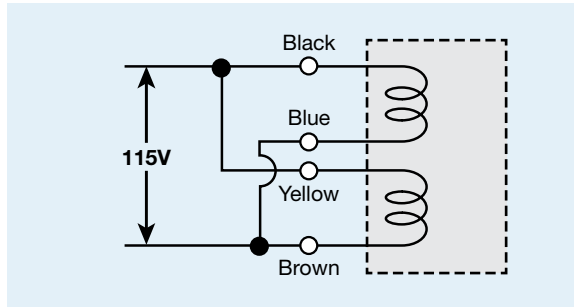


Engineering

FAN OPTIONS

Dual Voltage: Many Mechatronics AC axial fans and impellers are available in a 115/230VAC dual voltage package. These models are manufactured for either 115VAC or 230VAC operation. Each fan includes 4 unique colored lead wires. Fans can be hooked up for 115VAC or 230VAC by following the wiring diagram included on each fan.



Environmental Protection: Mechatronics AC axial fans are available with optional environmental protection ranging from light coating to full encapsulation. Available options vary by model.

Conformal Coating - Fan motor windings are treated with a thin coating prior to installation into the fan frame. Conformal coating is designed for light moisture exposure such as condensation.

Encapsulated Motor - Fan motor windings are sealed with potting material to prevent water and dust ingress. Encapsulation is designed for direct water exposure and has been tested to meet IP55 requirements.

Encapsulation + Salt Fog Protection - Fan motor windings are sealed with potting material to prevent water and dust ingress. Supplemental coating is added over all exposed areas of the fan motor to prevent corrosion from salt exposure.

Multiple Speed: Some Mechatronics AC axial fans and impellers are available with 2 speed options in the same unit. Each model is supplied with 3 lead wires. Black and blue wires are used for low speed operation. Black and brown wires are used for high speed operation.

DC Alarm Output: Some Mechatronics AC fans are available with a DC alarm signal. These options include tachometer and locked rotor output.

GENERAL SPECIFICATIONS*

Construction	Aluminum die-cast frame
Features	Thermoplastic UL94V-0 or metal impeller
Bearing Option	High precision chrome steel ball bearings or bronze sintered sleeve
Connection	Terminal or 22 AWG lead wire power connection
Protection	Impedance or thermal protection
Operating Temperature Range	- Ball Bearing -40°C ~ 70°C - Sleeve Bearing -20°C ~ 70°C
Dielectric Strength	AC 1500V (50/60Hz) for one minute
Insulation	Class B (unless otherwise noted)
Safety Agency Approvals	UL, cUL File E137077 - TUV - CE
Life Expectancy (L10)	60,000hrs @ 40° C

* Actual specifications, tolerances and safety agency approvals vary by model. Consult Mechatronics for individual specifications.